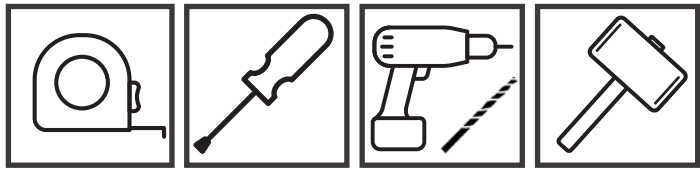


# CORNER LINEAR PLANTER

## INSTRUCTIONS (800x800mm)

We recommend using the following tools (not supplied):



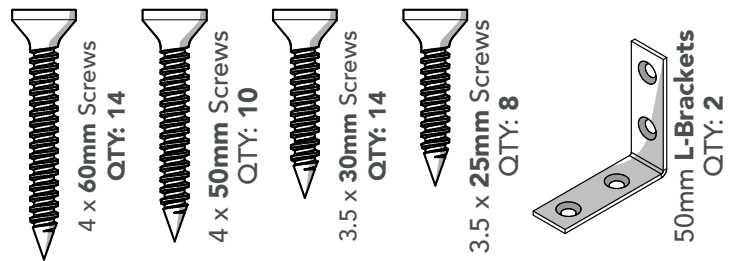
Tape Measure

Pozidrive Screwdriver

Drill & 2mm Drill Bit

Rubber Mallet

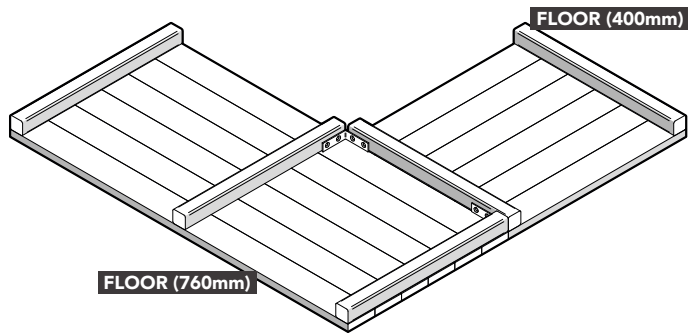
FIXING PACK CONTAINS:



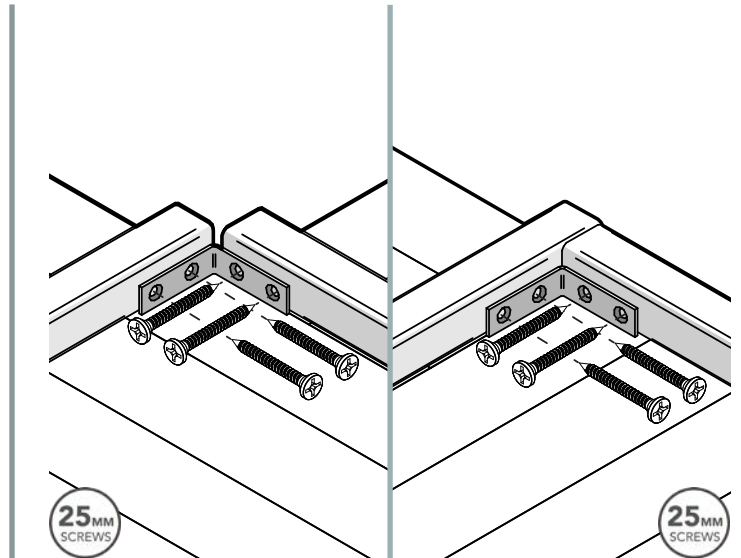
PLEASE KEEP PLASTIC BAGS AND SMALL PARTS AWAY FROM CHILDREN

FIXING PACK CODE: CORNLINPL80FP

1



Position the floors in your desired location and turn them upside down. Place an L-Bracket at each adjoining corner.



Fix the 2 x L-Brackets using 25mm screws to the battens in the adjoining corners to secure the floors together.



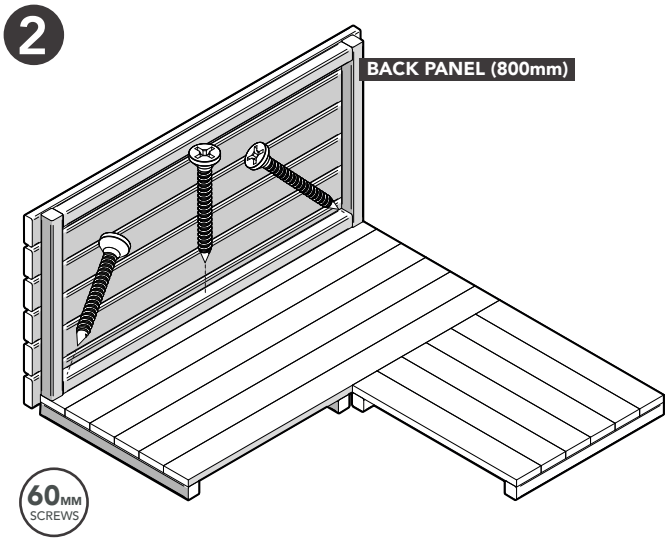
**IMPORTANT**  
Assembly requires 2+ adults.



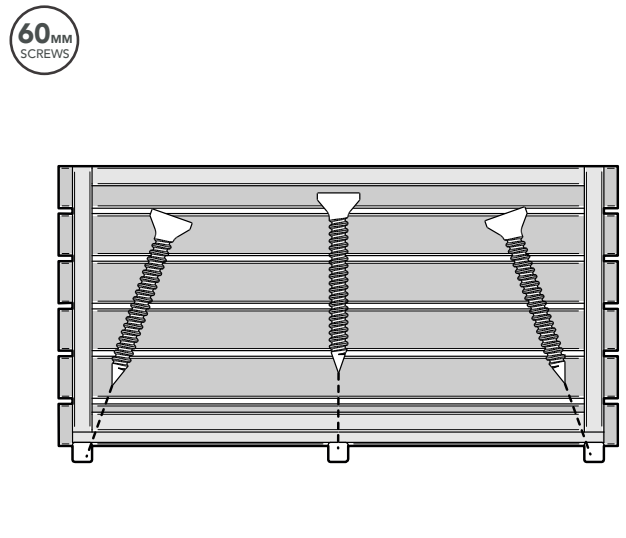
**REMINDER**  
Always pre-drill before screwing.

Missing something or need more information?  
Call our aftersales team on  
0333 321 3142

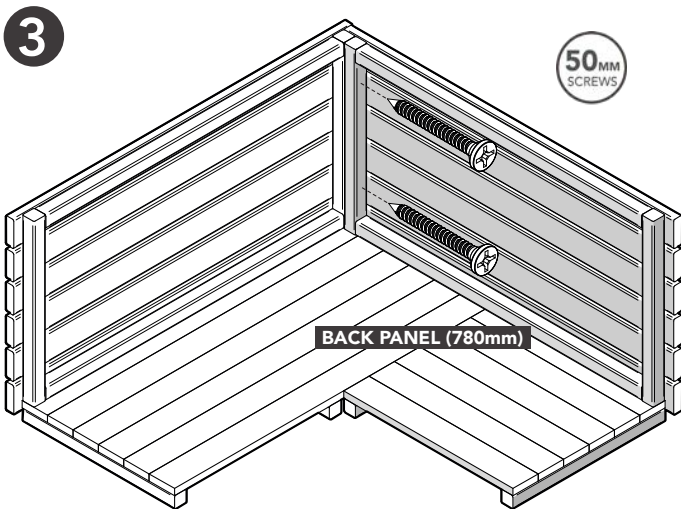
Visit our website for spare instructions and more information  
[www.forestgarden.co.uk](http://www.forestgarden.co.uk)



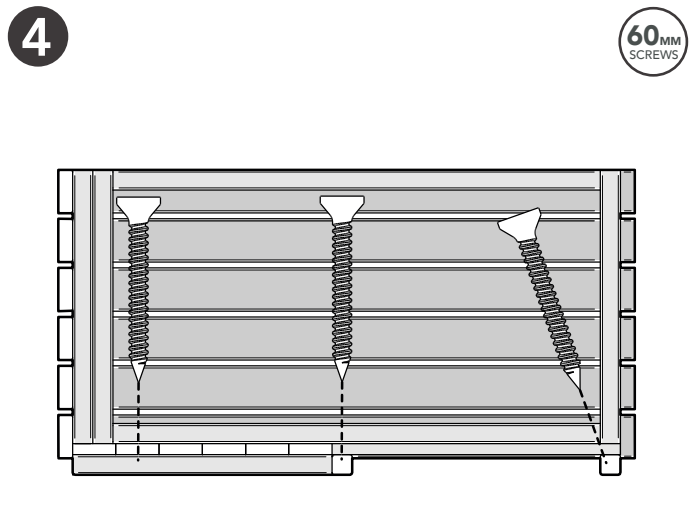
**Secure the first Back Panel (800mm).** Screw into the bearers of the floor beneath. Ensure the side battens on the panel are flush to each end of the floor.



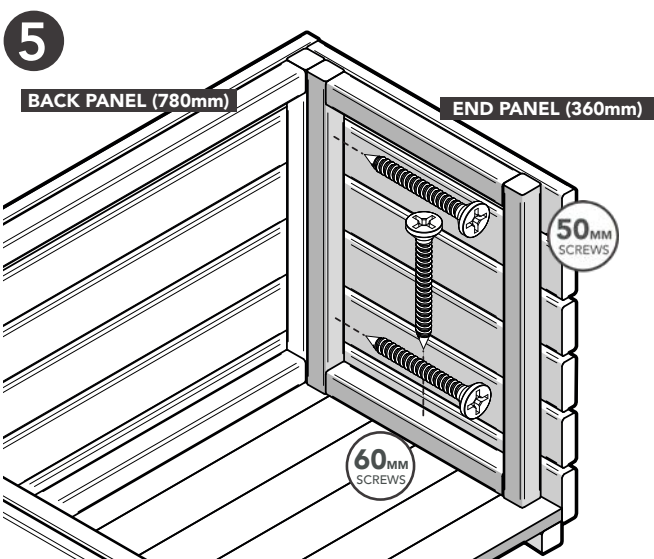
Ensure to angle the 2 x screws as shown above to secure into the floor bearers beneath.



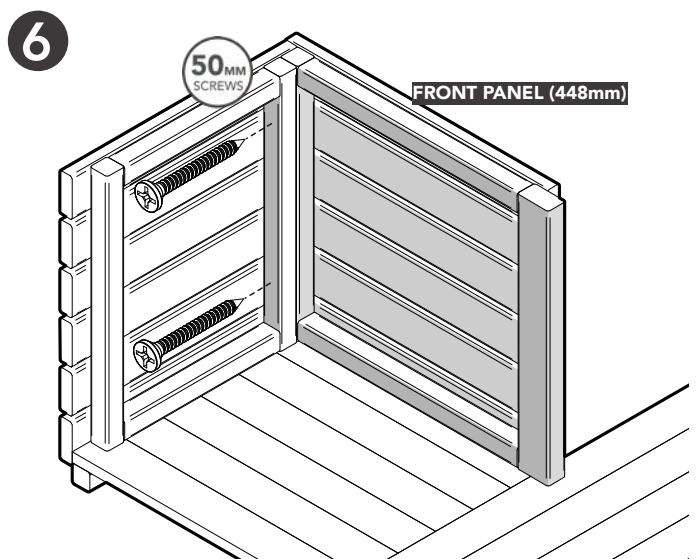
**Secure the second Back Panel (780mm) to the first Back Panel** using 50mm screws.



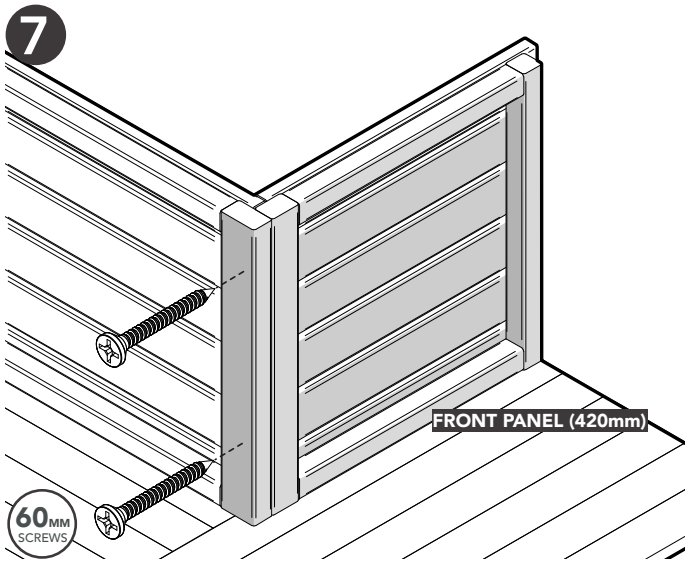
**Secure the Back Panel (780mm) to the floor bearers beneath.** Ensure to angle the 1 x screw to secure into place as shown above.



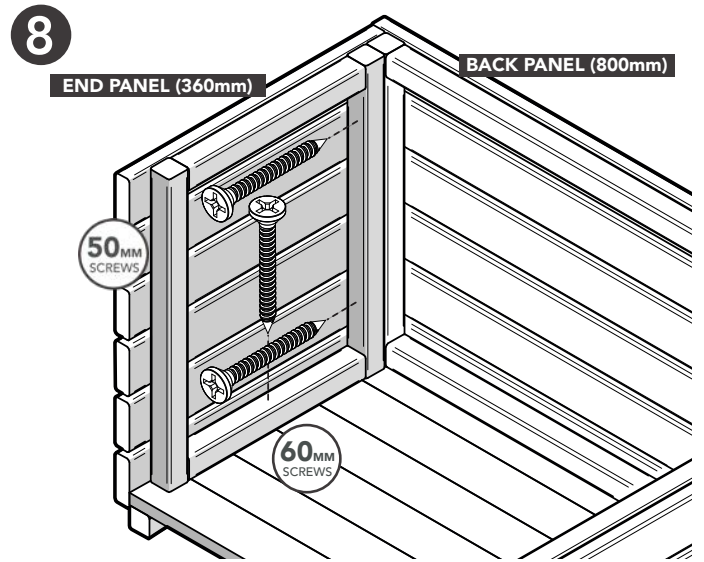
**Secure the End Panel (360mm).** Screw into the Back Panel using 50mm screws and fix to the floor bearer using a 60mm screw.



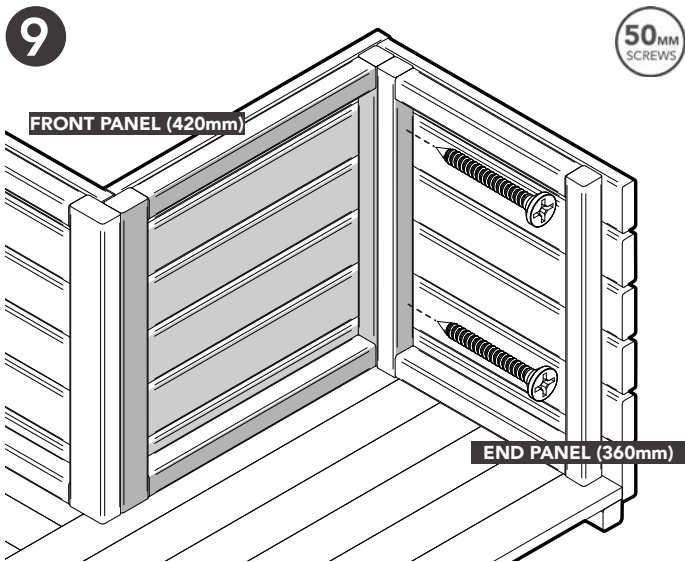
**Secure the first Front Panel (448mm).** Screw through the End Panel (360mm) into the Front Panel (448mm) using 50mm screws.



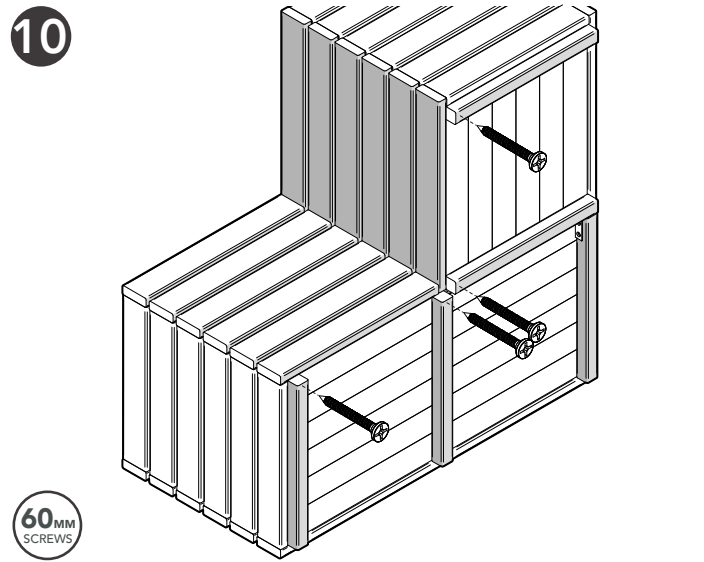
Secure the second Front Panel (420mm). Secure it to the first Front Panel using 60mm screws as shown above.



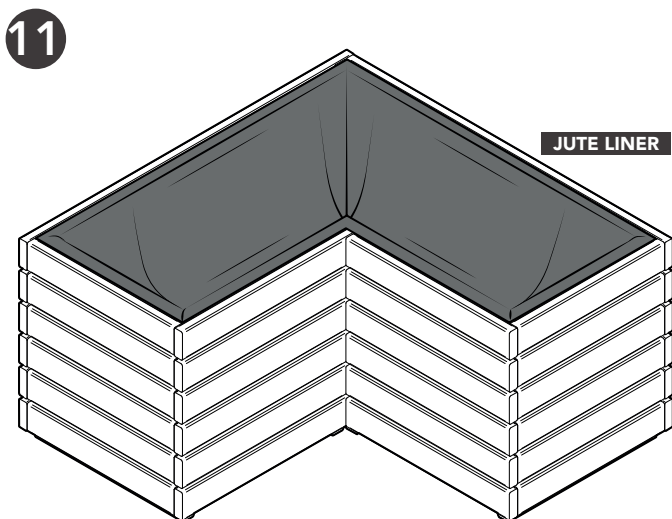
Secure the other End Panel (360mm). Screw into the Back Panel using 50mm screws and fix to the floor bearer using a 60mm screw.



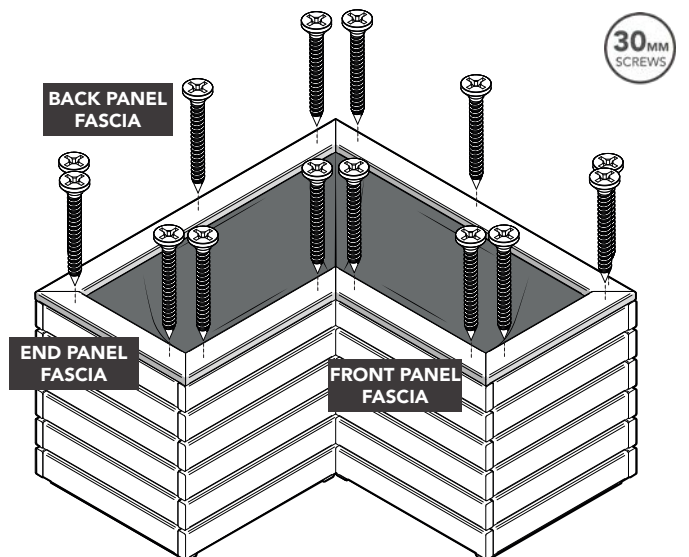
Secure the second Front Panel (420mm). Screw through the End Panel (360mm) into the Front Panel (420mm) using 50mm screws.



Secure the Front Panels to the Floor bearers. Turn the planter onto its side and screw through the bearers into the Front Panels to fix them into place.



Layout and position the Jute Liner material inside your planter. Overlap over the top edge and use the Fascias to hold into place.



Secure the Fascias to the Panels. Ensure the Jute Liner is held in position when screwing the Fascias into place.

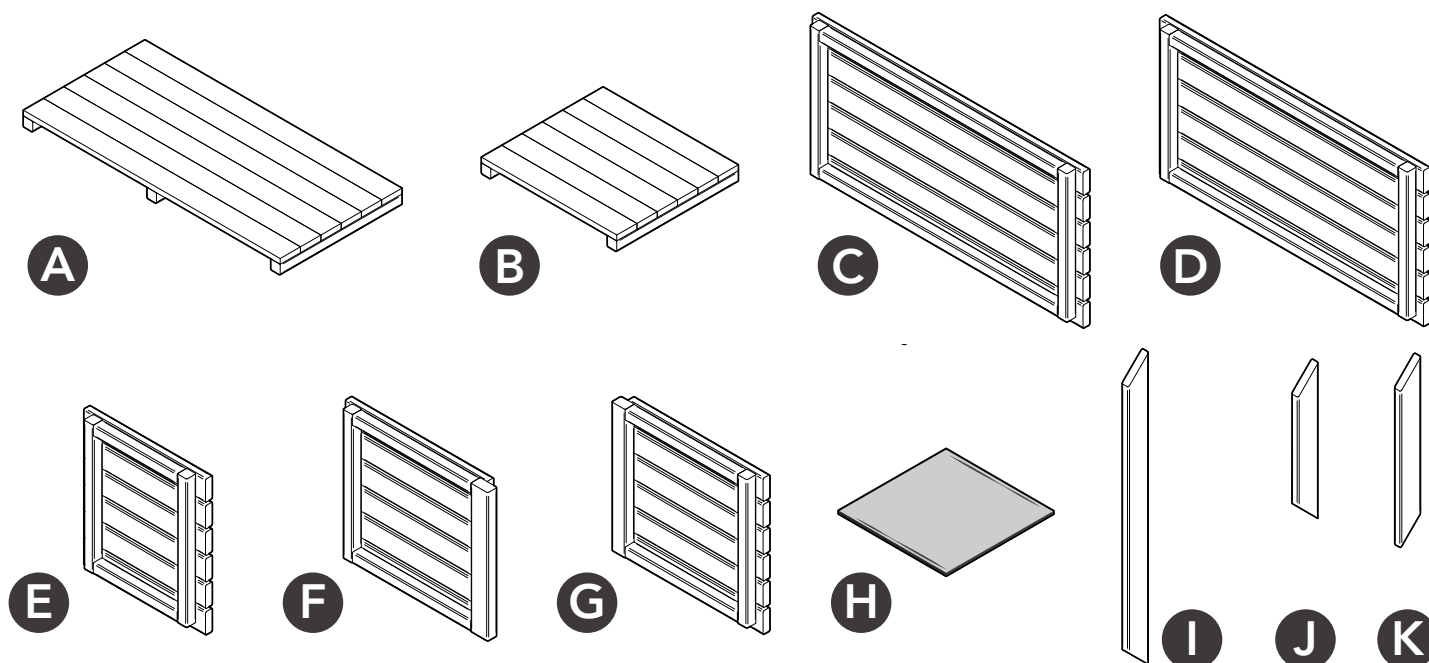
## CHECK YOU HAVE ALL YOUR PARTS.

(The parts do not have codes on them. They are listed below should you need to order one.)

The components provided may be heavy. Please lift with caution and with a minimum of 2 people.

Corner Linear Planter 800x800mm (CORNLINPL80)			
Label	Part Code	Description	No.
A	SLPLB760	Floor 760x360x43mm	1
B	SPLB400	Floor 400x360x43mm	1
C	SPLP800	Back Panel 800x400x48mm	1
D	SPLP780	Back Panel 780x400x48mm	1
E	SPLP360	End Panel 360x400x48mm	2
F	SPLP448	Front Panel 448x400x48mm	1
G	SPLP420	Front Panel 420x400x48mm	1
H	JLINER8080	Jute Liner	1
I	60200800PAII45PT	Back Panel Fascia 800x60x20mm	2
J	60200400PAII45PT	End Panel Fascia 400x60x20mm	2
K	60200460PAII45PT	Front Panel Fascia 460x60x20mm	2

Use the labelled components to help identify the part code and description.



**CHECK & TIGHTEN ALL FIXINGS APPLIED TO THE PRODUCT ON A REGULAR BASIS**

## HEALTH & SAFETY

We strongly recommend that PPE (Personal Protective Equipment) is used throughout your build to ensure you are protected from any potential health and safety risks. **Do not exempt yourself from wearing PPE.**



### TREATED TIMBER CONTAINING A BIOCIDAL PRODUCT CONTROL OF WOOD DESTROYING ORGANISMS

**Active Ingredients** - Propiconazole, Tebuconazole, IPBC, Permethrine, Benzyl-C12-16-Alkyldimethyl Chlorides. (Dip Treated)  
Basic Copper Carbonate, DDA Carbonate, DDA Chloride. (Pressure Treated)

Wear gloves when handling. Avoid inhalation of sawdust. Do not use in contact with drinking water or food. Do not use for animal bedding or in fish ponds. Dispose of treated wood responsibly.

